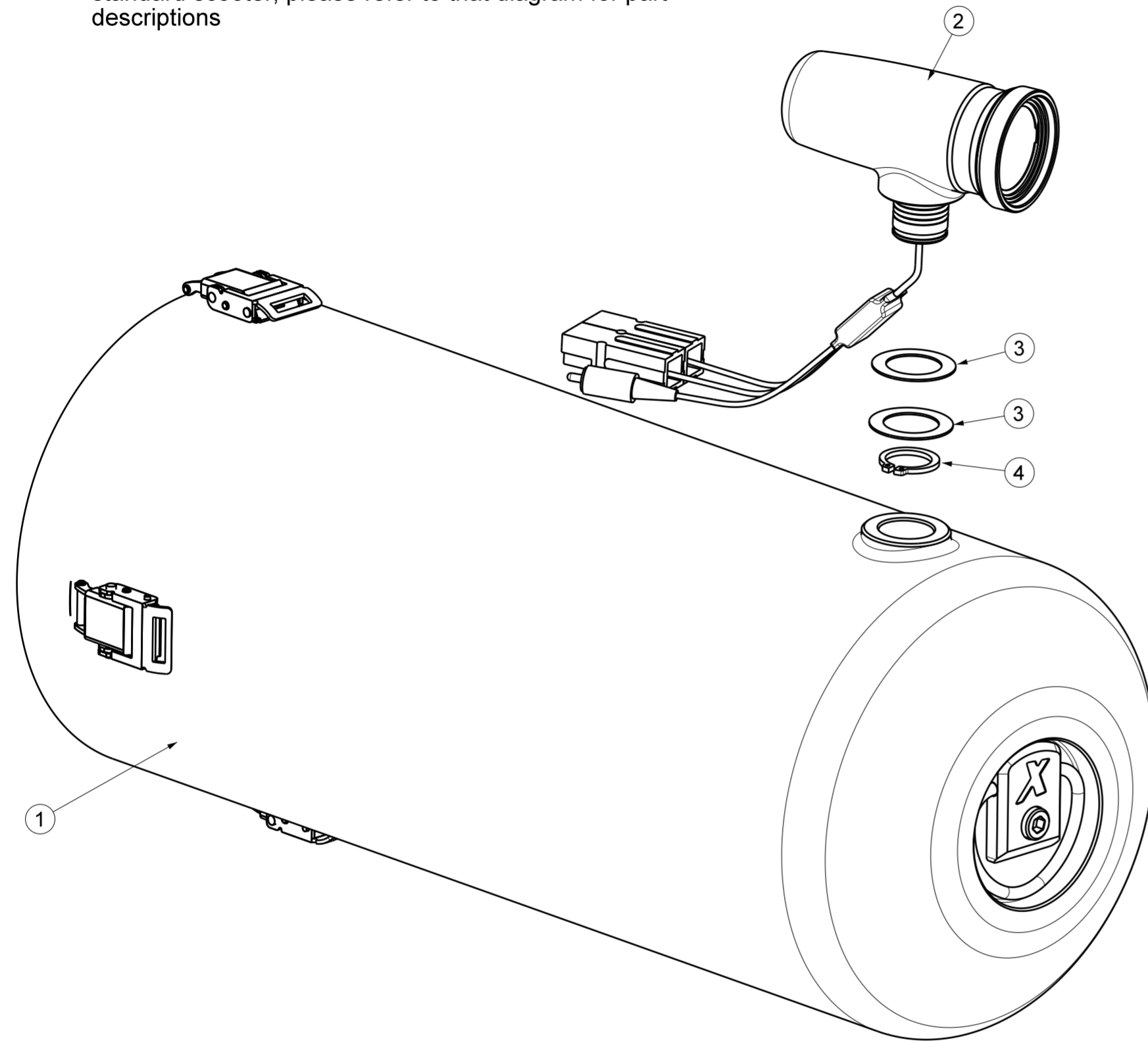


Rev.	Description	Date
1	New Release	8/12/08

CSI Body Assembly

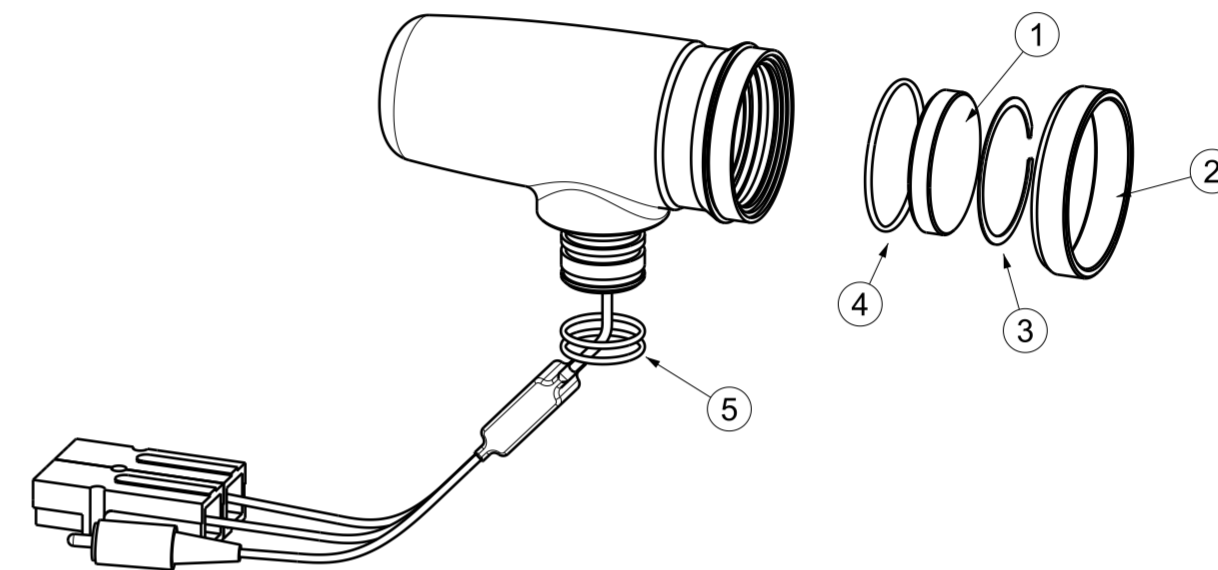
The body minus the camera is the same as the standard scooter, please refer to that diagram for part descriptions



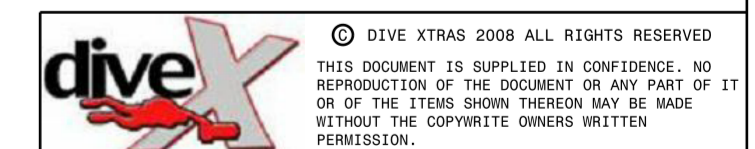
CSI Body Assembly			
Number	Quantity	Part Number	Definition
1	1	010-2100-CSI	CSI Body Assembly
2	1	CSI-1000	Body Assembly, CSI Camera
3	2	CSI-1003	PTFE Washer, CSI Camera
4	1	0.875" HD-EX-RR	0.875" DIA HEAVY DUTY EXTERNAL RETAINING RING

CSI Camera Assembly

The diagram below shows the exploded view of the CSI camera body. It is not recommended that the user disassemble this item and the diagram is provided for illustration only.



CSI Camera Assembly			
Number	Quantity	Part Number	Description
1	1	CSI-1004	Port, CSI Camera
2	1	CSI-1005	Bumper Ring (Fits 46mm Filter), CSI Camera
3	1	VH-150	Smalley Retaining Ring, SS.
4	1	2-029-O-RING	O-Ring, 2-029, Nitrile
5	2	2-018-O-RING	O-Ring, 2-018, Nitrile



All dimensions are in mm.
Debur & Break all sharp edges

Engineer:
Ben McGeever

**CSI Body & Camera
Assembly Exploded View** Sheet

Drawing No:	Rev	1
xxx	1	1